

WEEKLY BULLETIN NO. 2013/09 DUE ON 27/05/2013 at 11:00 HOURS.

IMPORTANT NOTES TO TENDERERS: -

1. All tenderers should quote exactly as per Railways requirement separately for each item.
2. All tenderers should note that the drawings, specifications, samples if required, same can be given by this office / consignee. **Drawing are also attached herewith.**
3. Ex. Stock delivery will be preferred. Rate should be quoted for the delivery at consignee's end.
4. Firms registered with Sr. DMM / Mumbai, Central Railway, Production Units and RDSO are eligible to submit their offer against this tender otherwise Sr. DMM Mumbai will have the right to accept / reject the tender without assigning any reason.
5. Vendor's must give the copy of MRP / Price list along with their quoted price for branded items. (Separate rate should be quoted for individual brand).
6. Suppliers should invariably mention their sales tax registration No. on their quotations, failing which their offer will liable to be ignored.
7. Firms to quote fixed price. Price Variation Clause is not applicable.
8. Make / Brand of the item intended for supply must be clearly mentioned in the offer.
9. This bulletin is available on <http://www.cr.indianrailways.gov.in>

No	Tender No.	Description	Qty.	Unit	Consignee
1	92.13.5055	Haver sack (back pack bag) Auxillary first aid bag with three compartment good quality nylon cloth with first aid bag and C.R. Printed on bag Size H 20" x 6" W	85	Nos	CMS KYN
2	92.13.5129	Executive Sittiing Chair with Cushion and 5 Wheel for Revolving Godrej Model No.PCH 7201 R or Similar.	1	No	Sr DCM CSTM
3	92.13.5156	POR-15 corrosion resistant paint in silver colour for outdoor structure of traction distribution. As per RDSO spec. No. TI/SPC/CIV/POR/0080 (08/2008).	50	Ltrs	SSE (OHE) CLA
4	92.13.5205	Dry cell 1.5 Volt R -14 cell leak proof - Eveready / Novino / Duracell Nippo make	600	Nos.	SSE /T/S/KYN.
5	92.13.5235	PVC Wall Cladding fitting with G.I. Section. Consisting of providing and fixing PVC multiple hallow Section of approved Grey colour with tong & groove fixture having wall thickness of 1 mm in shutter panel, partition etc. To be fixed by G.I. section biding and screw. Cladding size:6"inchx12'feet-20mm thick, Metal section 60 x 35 mm with 1/2"inch metal screw & 10mm x 10mm biding.	800	Sq.ft	Sr.SEE(TL)CST M
6	92.13.5238	Revolving Chairs with 5 wheels and arm rest for B kg. offices. Model OC - 030 of United make or similar. Size - seat height 18", back height 39" - cushion - 3" seat and 2" lock - fibre stand fitted with heavy wheel casters.	5	Nos.	Sr.DCM CSTM
7	92.13.5239	Revolving Chairs (High Back) with 5 wheels & arms and cushioned seat and back for supervisors. Model OC - 049 of United make or similar. Size - seat height - 18", back height - 39" cushion - 3" seat and 2" back - fibre stand fitted with heavy wheel caster.	2	Nos.	Sr.DCM CSTM
8	92.13.5243	Vertical sliding door unit. Model VSDU - 9 of Godrej make or similar.	2	Nos.	Sr.DCM CSTM
9	92.13.5244	Personal Steel Lockers with 8 pigeons. Size - 78" x 36" x 19".	2	Nos.	Sr.DCM CSTM
10	92.13.5246	Stainless Steel S.S. tank for dustbin of size 22" H x 16" dia x 4.5 kg. wt. approx with 8' Long galvanized chain and lock One 'O' ring should be attached to the tank make -Bafna,	60	Nos	CMS KYN

		Sagar, or Similar.			
11	92.13.5251	Vaccum cleaner for SCADA system of RCC as well as for RTU as per annexure attached . Make:FORBES or similar Philips Electronics India Ltd.	1	Set	SSE(SRC)CSTM.
12	92.13.5253	TMC Acid Proof Anti Slippery of size:9.1'(length)x 2.6'(width)x3mm thickness Six (6) sheets flooring for Battery charging Peripheral Area.	148.2	Sq.Ft	Sr.SEE(TL)CSTM
13	92.13.5256	SKF Oil seal ball Bearing 6203 Z RSI FAG,NBC,COYO make (Product Guarantee Certificate required)	800	Nos.	SSE/Sig/CLA
14	92.13.5257	ZORIC Spray 200 MI Rust end contact cleaner Zorric, CVC Multilube or similar (Product Guarantee Certificate required)	340	Nos.	SSE/Sig/CLA
15	92.12.5646	Spare parts of battery charger for AMAR RAJA MAKE as per annexure attached Make: Amara Raja or similar.	4	Sets	Sr.SE (TD) PNVL
16	92.13.5259	Lazer Printer of HP monochrome 1020 plus or similar.	6	Nos.	Sr.DFM CSTM
17	92.13.5262	Copper Lug for AFTC track lead connection (Rail Side) as per Drg. No. RST - 11788 attached (Product Guarantee Certificate Required) Braco, Shraddha, arje make or similar	1000	Nos.	SSE(SiG) CLA
18	92.13.5263	Cable PVC flexible 36/0.3 Finolex strand 2.5 sq.mm for wiring for point machine in Red, White, Blue, Yellow & Black colour (Product Guarantee Certificate required) Zenium, Finolex or similar	2500	Mtrs.	SSE(SiG) CLA
19	92.13.5264	Power pack unit 110 V/ 60 VDC, 500 MA capacity with base for siemens type relay rack (Product guarantee certificate required) General Auto, Antoson, Brisk make or similar.	40	Nos.	SSE(SiG) CLA
20	92.13.5098	Set of Refrigeration pipe line & accessories as per annexure "A" attached .	20	Sets	SSE (ETL/AC) CSTM

Requisition No. 17000045 dt:08.03.2013

ANNEXURE to Tender No. 92-13-5251

Annexure I

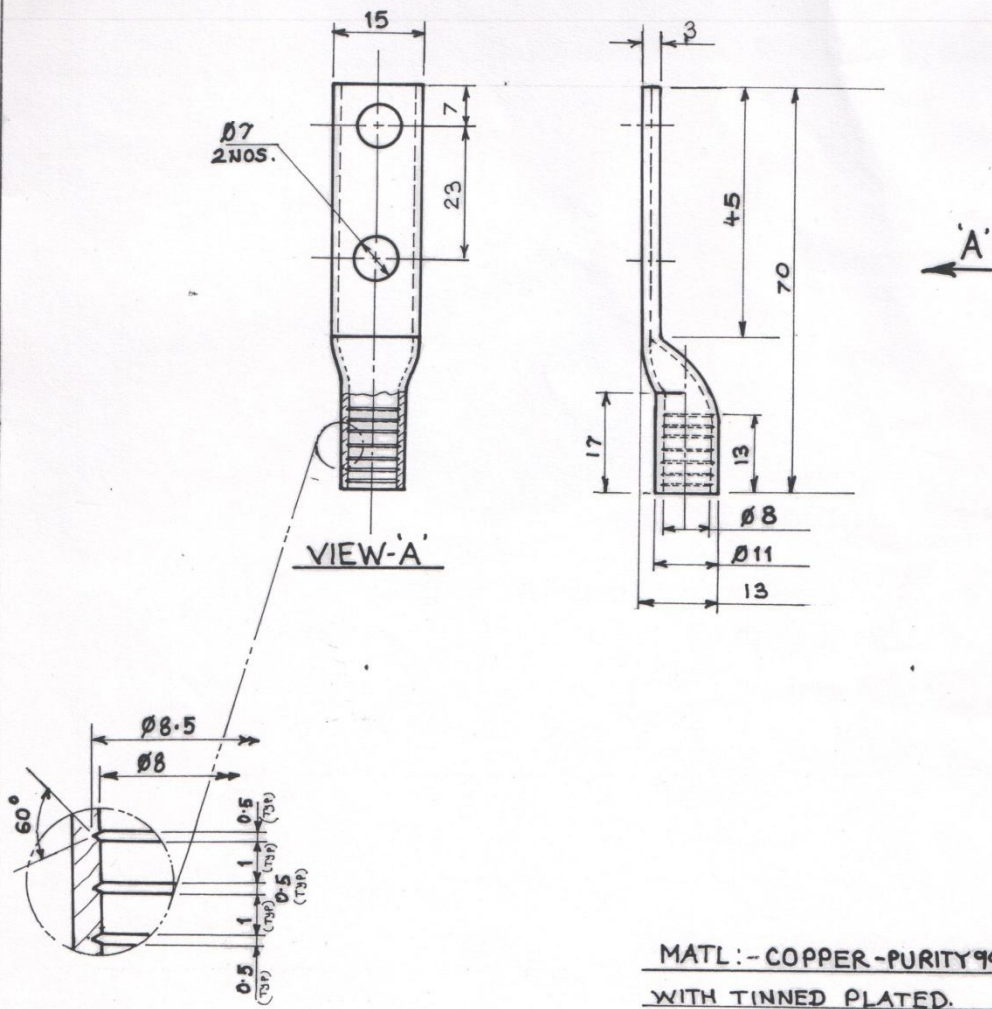
Description: Vacuum cleaner for SCADA System at RCC as well as for RTU

Details as under

Item Sr. No.	Description	Qty.
01	Multi-purpose wet & Dry Vacuum cleaner, with Dual function for collecting dry dust & wet spills, specially designed wide caster wheel base for stability & easy movement, Larger capacity of plastic container for water & dust collection, Both suction & blower functions. Specifications :- 1.Suction power - 1300mm of water column. 2. Input power(IEC):700 watt 3. Net weight-4.5Kg 4. Dimensions-(L x W x H) - (30 x 260 x 525)mm	01 No.
02	Easy Cleaner - Daily use vacuum cleaner with Blower & Suction, both suction and blower functions, light weight, hand held or shoulder carried, dust cup for easy disposal if garbage, floor cleaning attachment that enhances versatility of the unit. Specifications :- 1.Suction power : 1600mm of water column. 2. Input power(IEC):800 watt 3. Net weight - 1.8Kg 4. Dimensions-(L x W x H) - (250 x 126 x 175)mm	01
03	Sensi Clean - Electronic gadget cleaner, Specially designed to suit various cleaning needs of electronic gadget like TVs, Laptops, ACs, Keyboard, DVD Players, ect., Super light weight and compact design, 2-in-1 Keyboard Brush/ Nozzle provides, maximum efficiency for cleaning for delicate equipments like keyboard. Specifications :- 1.Suction power : 900mm of water column. 2. Input power(IEC):300 watt 3. Net weight - 900 g 4. Dimensions-(L x W x H) - (300 x 90 x 110)mm	01
Total		1 set containing 03 nos.

Sharma
विद्युत कंडक्टर विभाग - (एच/एच)
विद्युत कंडक्टर विभाग
एच/एच, गुवाहाटी हि. २
Sr. Section Engineer-(SCADA)
एच/एच (एच/एच)
एच/एच, गुवाहाटी हि. २

Drawing to Tender No. 92.13.5262



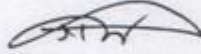
COPPER LUG

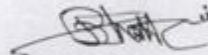
DATE	C. RLY (S&T)	DRAWING NO.
	<i>dlse</i> 21/03/2009	R-ST-11788

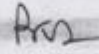
ANNEXURE

S. NO.	Material Description	QTY/lot	Qty Req.
1	PCB-1 -1PH-CHGR-IND-110VDC-W/o-Gate Diode. Part No.ARE02021202 or Similar	1No	③
2	PC-2, Filter board Part No.ARE02001106 or Similar	1No	③
3	PC-3, PCB-Feedback cum gate Pulse Board Part No. ARE02018619 or Similar	1No	4 Set
4	SCR-DIODE-Block-Slow-90/95A-1200V Part No.46030212095 or Similar	1No	③

③
③


ADEE (TD) PNVL


SSE PSI PNVL


मंडल विद्युत इंजिनियर
(कर्णम विभाग)
मध्य रेल्वे, मुंबई ड. डि. ड.
DIVISIONAL ELECTRICAL ENGINEER
(TRACTION DISTRIBUTION)
CENTRAL RAILWAY MUMBAI C.S.T.



SET OF SPARES FOR MODIFICATION OF SCROLL COMPRESSOR IN PLACE OF
MANEUROP COMPRESSOR IN RMPU COACHES

S.N.	DESCRIPTION OF ITEMS	DRG/IS No.	QTY/SET
01	Wrought copper tube for suction pipe of size ID 19 mm, OD 22.50 mm having wall thickness 1.75 mm of length 1200 mm.	IS 10773	01 no.
02	Wrought copper tube for discharge pipe of size ID 12.5 mm, OD 16 mm having wall thickness 1.75 mm of length 1200 mm.	IS 10773	01 no.
03	5/8 Way copper capillary with strainer of m/s: Sidwal/Intec make <i>OR / F GOODWIN L.</i>	Part no. RCAC 139 of m/s: Sidwal.	01 no.
04	4 Way copper capillary with strainer of m/s: Amit/Fedders Lloyd make. <i>OR SIDWAL</i>	Part no 4530251 of m/s: Fedders Lloyd	01 no.
05	Eliminator filter drier for plant of m/s: Amit/ Fedders Lloyd make. <i>OR SIMILAR</i> (Model DCL 084S of Danfoss make)	Part no. FLC-RLY-049 m/s: Fedders Lloyd	01 no.
06	Gas charging valve {9.25 mm (3/8") brass}.	-----	01 no.
07	SS foundation plate of size 450 mm x 450 mm having wall thickness 04 mm.	-----	01 no.
TOTAL			07 nos.

ONE SET CONSISTS OF 07 ITEMS HAVING TOTAL 07 NOS.

Note:-

- Wherever it is possible the firm should embossed the date and year of manufacture on each item.
- If the material is supplied in bulk, a sample should be supplied before for testing.

 SSE/TL/LTT	<i>GERIN</i> 7-1-13 ADEE/TL/LTT	 Sr.DEE(Cog)/CSTM
SKETCH NO. :- TL-AC/LTT/001		