

WEEKLY BULLETIN NO. 2013/12 DUE ON 22/07/2013 at 11:00 HOURS.

IMPORTANT NOTES TO TENDERERS: -

1. All tenderers should quote exactly as per Railways requirement separately for each item.
2. All tenderers should note that the drawings, specifications, samples if required, same can be given by this office / consignee. **Drawing are also attached herewith.**
3. Ex-Stock delivery will be preferred. Rate should be quoted for the delivery at consignee's end.
4. Firms registered with Sr. DMM / Mumbai, Central Railway, Production Units and RDSO are eligible to submit their offer against this tender otherwise Sr. DMM Mumbai will have the right to accept / reject the tender without assigning any reason.
5. Vendor's must give the copy of MRP / Price list along with their quoted price for branded items. (Separate rate should be quoted for individual brand).
6. Suppliers should invariably mention their sales tax registration No. on their quotations, failing which their offer will liable to be ignored.
7. Firms to quote fixed price. Price Variation Clause is not applicable.
8. Make / Brand of the item intended for supply must be clearly mentioned in the offer.
9. If the tenderer is quoting for any other Make / Brand than the railway's requirement, they must also submit technical details / specifications showing compliance to the tendered specifications / requirements, failing which their offer will be liable to be ignored.
10. This bulletin is available on <http://www.cr.indianrailways.gov.in>

No	Tender No.	Description	Qty.	Unit	Consignee
1	92.12.5616	PBT Motor terminal Siemens suitable for Siemens motor as per geared motor assembly Drg. No. 1F-5509-00-0209594-001 and to be used in 110V DC	500	Nos.	SSE(S) CLA
2	92.13.5356	Inverter battery lead acid type 180 AH 12 volts DC duly charged with electrolyte level indicator etc. confirming to IS make: SF Sonic, Exide, Amco.	8	Nos	SSE(EM)KYN
3	92.13.5357	Inverter batteries lead acid type 150 AH 12 volts DC duly charged with electrolyte level indicator etc. confirming to IS make Amron, Exide, Amco.	8	Nos	SSE(EM)KYN
4	92.13.5359	Single phasing preventor VSP-3 (Auto reset 50 volts unbalance) suitable for 3 phase 440 volts 50 Hz. AC supply similar to minilec VSP-3 , DIN rail mounting arrangement make- Minilec, L&T, Photan.	100	Nos	SSE(EM)KYN
5	92.13.5361	Bolt cutter heavy duty with interchangeable saw arrangement suitable to cut high tension wire, 4 chain upto ½" dia and having the length 42" Bluestar or similar.	15	Nos	SSE(OHE)CLA
6	92.13.5364	Adjustable spanner Taparia make confirming to IS 6149-1984 grade II chrome finish product no. a. 1171-8 size 205mm, b. 1172-10 size 255mm, c. 1173-12 size 305mm, (1 set of 3 nos. of each size) make : Taparia, Geoder, Jalani.	75	Sets	SSE(OHE)CLA
7	92.13.5367	Bond press double screw type for quick removal complete with spanner to drg. No. ET/RB/82/M/R2	10	Nos	SSE(OHE)CLA
8	92.13.5368	Bolt cutter (contact/Dropper wire cutter) size 12" make : Taparia, Geoder, Jalani.	100	Nos	SSE(OHE)CLA
9	92.13.5371	Transmission oil, type C4 SAE30 BPCL/HPCL/IOC.	420	Ltrs	SSE/OHE/CLA

No	Tender No.	Description	Qty.	Unit	Consignee
10	92.13.5372	Low density PVC tube size 12mm with ISI mark Technical specification as under (1) Material : Poly vinyl chloride (2) Outside dia:18mm (3) Inside dia:12mm (4) Thickness:3mm, Die electric strength:20KV 3mm (Each roll 100 mtrs. Only).	2000	Mtrs.	SSE(OHE)CLA
11	92.13.5373	Low density PVC tube as per technical specification as under size 20mm ISI mark (1) Material : Poly vinyl chloride (2) Outside dia:26mm (3) Inside dia: 20mm (4) Thickness:3mm, (5) Die electric strength:3KV minimum (6) with ISI mark (Each roll 100 mtrs. only).	2000	Mtrs.	SSE(OHE)CLA
12	92.13.5374	Low density PVC tube size 16mm with ISI mark Technical specification as under (1) Material : Poly vinyl chloride (2) Outside dia:22mm (3) Inside dia:16mm (4) Thickness:3mm (5) Die electric strength:4.5KV(minimum) (Each roll 100 mtrs. Only).	2000	Mtrs.	SSE(OHE)CLA
13	92.13.5376	HP Black Cartridges or similar single pack as under:- a) C - 9351 A (21 A) = Qty. - 24 Nos. b) 920 = Qty. - 12 Nos. c) CH 561 Z (802) = Qty. - 24 Nos. d) CC 660 A (702) = Qty. - 03 Nos. e) C 51645 A (45 A) = Qty. - 10 Nos. f) C 8767 Z (853) =Qty. - 12 Nos. Total Qty. = 85 Nos. (1 set of 85 nos.)	1	Set	Sr. DEE(TD) CSTM
14	92.13.5377	HP Colour cartridges or similar single packed as under: - a) C - 6578 D (78) = Qty. - 05 Nos. b) C 9363 Z (857) = Qty. - 06 Nos. c) C 9352 A (22) = Qty. - 16 Nos. d) 920 = Qty. - 09 Nos. e) C 9532 A (28) = Qty. - 02 Nos. f) 802 =Qty. - 06 Nos. Total Qty. = 44 Nos (1 set of 44 nos.)	1	Set	Sr. DEE(TD) CSTM
15	92.13.5378	Toner for Canon Xerox machine No. ir200L & printers or similar single packed as under- a) NPG 28 = Qty. - 12 Nos. b) FX - 9 = Qty. - 03 Nos. c) Q 2612 = Qty. - 03 Nos. d) CC 388 A = Qty. - 04 Nos. Total Qty. = 22 Nos.(1 set of 22 nos.)	1	Set	Sr. DEE(TD) CSTM
16	92.13.5379	11KV 15 amps fuse element (total length 675mm) confirming to IS: 5792/1970, Make: Bicco Lawarie, Kiran, Altos, PEC.	250	Nos	SSE/Sub.Stn./ CLA

No	Tender No.	Description	Qty.	Unit	Consignee
17	92.13.5380	Storage Battery lead acid for 12 volts, 88 amps capacity at 20 Hrs. Rate of discharge at 27 degree c IS. 7372/74 Make: Exide, Emco, Kirloskar.	4	Nos	SSE/OHE/CLA
18	92.13.5381	Tyre Sr.no.11-1000-20 16 PR NGL Super with tube sr.no.74.10.00.20 Make: CEAT, MRF, DUNLOP.	3	Sets	SSE/OHE/CLA
19	92.13.5382	U' clamp for 323 sq.mm copper catenary wire FM 126(M)R Drg. No.FM 126(M)R attached.	200	Nos.	SSE(TD)OHE/ LNL
20	92.13.5383	Rubberised Feather weight Rain suit Size Large of Duckback make or any reputed make.	50	Nos.	Sr.SEC.Engg.. PSI LNL
21	92.13.5384	LED rechargeable hand torch with nickel cadmium battery beam focus upto 800 mtrs. Type Celanz LED, Eveready similar.	40	Nos.	Sr.SEC.Engg. PSI LNL
22	92.13.5392	Lubricating Engine Oil 15W 40 make BPCL, IOCL or HPCL.	420	Ltrs	Sr. SE/ DI
23	92.13.5400	Spare parts for Diesel Engine, Cummins make, model VTA1710L, installed in 8 wheeler tower wagon No. RU 03892 based at DI as per annexure attached.	1	Set	Sr.SE/TD/DI
24	92.13.5402	11 KV 5 Amps fuse element (total length 675 mm) confirming to IS: 5792/1970. make - Bicco Lawarie, Kiran, Altos, PEC.	250	Nos.	SSE/Sub-Stn/ CLA
25	92.13.5403	MCB 'C' curve double pole rating 63 Amp. Breaking capacity 10 KA for 25 KV AC CLS supply changeover pannel. Make - Legrand, L&T & Simens.	90	Nos.	Sr. SEC ENGR PSI LNL
26	92.13.5390	MCB 40 Amps, double pole 130 volts DC, Make Standard, Havells or similar	100	Nos.	SSE (AC/Cog.) CSTM

Annexure to Tender No. 92-13-5400

Annexure

आपका प्रतिकार
नाम

Requisition No. & Date : 17024694 dtd. 09/05/2013

Description : Spare parts for Diesel Engine, Cummins make, Model VTA1710L, installed in 8 wheeler tower wagon No. RU 03892 based at DI as per annexure attached.

Qty : 01 Set (Contains 27 Items).

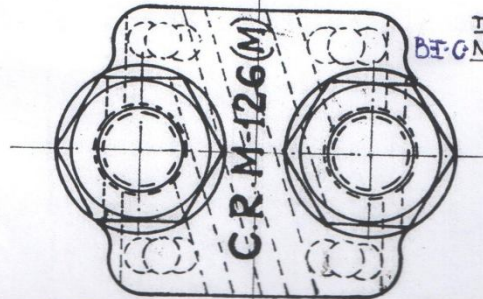
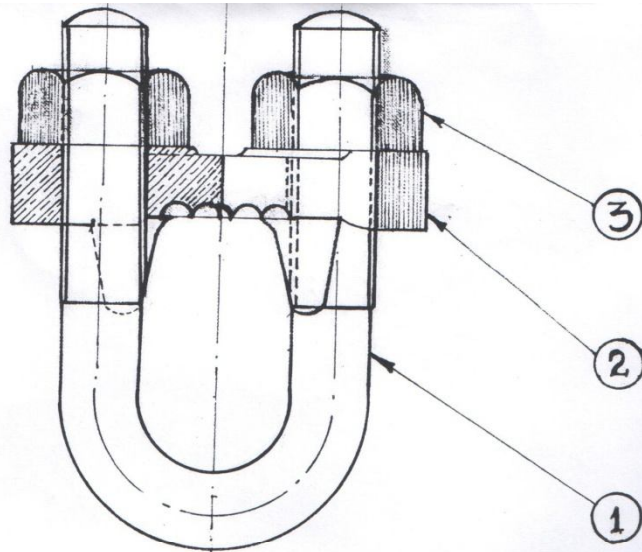
Sr. No.	Part No.	Particulars	Qty
1	209806	Shaft, water pump	1
2	3003354	Bearing, Roller	2
3	3003353	Seal, oil	1
4	3089056	Seal, water pump	1
5	4072613	Impeller, water pump	1
6	3011230	Gasket, water pump	1
7	213273	Harness, wiring	2
8	S 251	Nut, Regular Hexagon jam	2
9	S 1040 A	Elbow, male adapter	1
10	S 1028	Elbow, Plain adapter	1
11	S 1650	Bearing, ball	1
12	68174	Key, Square	1
13	100192	Shaft, Fuel pump drive	1
14	104087	Shaft, Tachometer drive	1
15	146483	Screen, filter	1
16	154087	Seal, Rectangular ring	1
17	3042542	Seal, O Ring	1
18	3066914	Seal, O Ring	1
19	189638	Spacer, Seal	1
20	200817	Gasket, Fuel pump	1
21	202897	Diaphragm, Ful pump damper	1
22	3030970	Disc, valve	1
23	3046201	Seal, O Ring	1
24	4913272	Valve, Check	1
25	157088	Cap, Fuel pump filter	1
26	KIT 3880783	Kit Injector Repair-V1710	2
27	70723	Bushing, Tachometer drive	1

D:\All data\ 38_TD.PNVL T.STORES CORRESPONDENCE\Store File

रि.प. (क. वि.)
T.D.
Centre Railway PANVEL

क. वि.
Engineer (T.D.)
Centre Railway PANVEL

92.13.5382



THIS SUPERSEDES
 DRG NO 20804 FOR ITEM
 No. M-126.

PART NO	DRG NO	MATERIAL	NO REQD	DESCRIPTION	REMARKS
3	STD	BRASS	2	NUT. M 14	I.S. 1364 FOR DIAM I.S. 319 FOR MATERIAL
2	FM126-2(M)R	GUN-METAL	1	CLAMP	TO SPEC. B.S. 1400-G1-C.
1	FM126-1(M)R	HARD-DRAWN COPPER	1	U BOLT. M14	TO SPEC B.S. 1433.

NOTE:- SPECIFICATION FOR - HARD DRAWN COPPER MATERIAL. TOLERANCES TEST PIECES ETC. TO B.S.S NO 1433-1948 MECHANICAL TESTS:- MINIMUM TENSILE STRENGTH 22 TONS PER SQ. IN MINIMUM ELONGATION 1 1/2 PER. CENT SPECIFICATION REFERED IN THE DRG. SHALL BE OF LATEST REVISION		O.H.E WHERE USED		MATERIAL. AS SHOWN ABOVE SPECIFICATION. SEE PART DRGS WEIGHT. 0.64 KG.	
MACHINING. TOLERANCE.		DR. CKT. RLY. DEPT.		TR. N.H. SHINDE. SD. <i>[Signature]</i>	
CENTRAL RLY. ELECT DEPT TRACTION DISTRIBUTION.		APPROVED <i>[Signature]</i>		SR. DEE (TD)	
SCALE:- FULL SIZE		"U" CLAMP FOR 2 Nos. 5 SQ. INCH (3.2 CM²) CABLES		DRG. NO FM 126(M) R	
				REVISION R	