

WEEKLY BULLETIN NO. 2014/10 DUE ON 16/05/2014 at 11:00 HOURS.

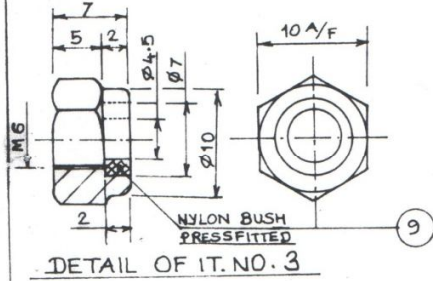
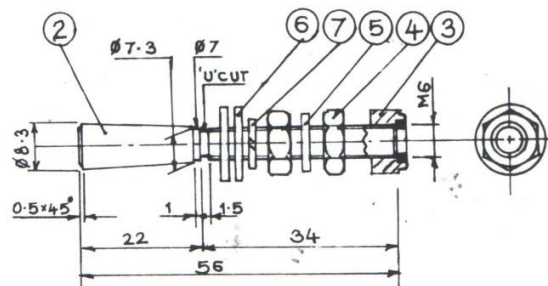
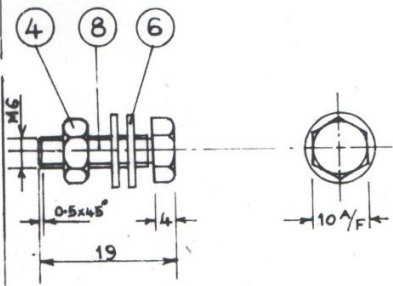
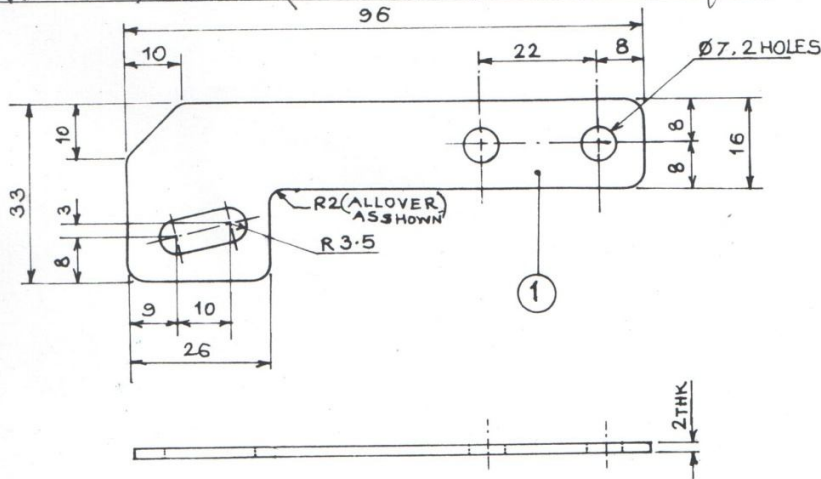
IMPORTANT NOTES TO TENDERERS: -

1. All tenderers should quote exactly as per Railways requirement separately for each item.
2. All tenderers should note that the drawings, specifications, samples if required, same can be given by this office / consignee. **Drawing are also attached herewith.**
3. Ex-Stock delivery will be preferred. Rate should be quoted for the delivery at consignee`s end.
4. Firms registered with Sr. DMM / Mumbai, Central Railway, Production Units and RDSO are eligible to submit their offer against this tender otherwise Sr. DMM Mumbai will have the right to accept / reject the tender without assigning any reason.
5. Vendor`s must give the copy of MRP / Price list along with their quoted price for branded items. (Separate rate should be quoted for individual brand).
6. Suppliers should invariably mention their sales tax registration No. on their quotations, failing which their offer will be liable to be ignored.
7. Firms to quote fixed price. Price Variation Clause is not applicable.
8. Make / Brand of the item intended for supply must be clearly mentioned in the offer.
9. If the tenderer is quoting for any other Make / Brand than the railway`s requirement, they must also submit technical details / specifications showing compliance to the tendered specifications / requirements, failing which their offer will be liable to be ignored.
10. This bulletin is available on <http://www.cr.indianrailways.gov.in>

No	Tender No.	Description	Qty.	Unit	Consignee
1	92.13.5349	Furniture as under:- 1) Executive Revolving Chair Godrej Model PCH 7201R or Similar Qty- 3 Nos . 2) Visitor Chair Godrej PCH 7003 R or Similar.Qty-9 Nos 3) Cervical stand Size - Height 60cm x 45cm and height of Rod 14cm, made of 8 mm transparent acrylic sheet, Top inclination controlled by one stron Brass Rod with adjustable on five different heights but suitable for reading and writing purpos.Qty-3 Nos. (NOTE: Overall value of offer will be the criteria for deciding the ranking of offer)	1	Set.	SrCo/12B N/ RPSF/TH K .
2	92.13.5604	SMPS Power supply module having, + 12v, -12v DC 18 Amperes, +5v, -5v DC 10 Amperes, 450 watts capacity, along with power supply chords. Make - IBALL, INTEX, Circle, Brintel.	60	Nos.	SSE (T/Store) KYN .
3	92.14.5111	Round space heater 100 Watts suitable to operate on 230 Volts AC supply 50Hz.Make Thermosil, Kerone or similar.	300	Nos.	SSE (Sub- Stn) CLA
4	92.14.5090	Galvanized square headed Bolt 19 MM dia 100 MM Length Full Threaded the material shall be of steel T -10 (Product Guarantee Certificate required.)	300	Nos	SSE(SIG) CLA
5	92.14.5096	Pedestrian Pre- recorded warning Bell 40 Watt along with Horn type bidirectional speaker & 15 Watt amplifier operated 110 V AC for level crossing gate (Product Guarantee Certificate required.)	20	Nos.	SSE(SIG) CLA
6	92.14.5282	BOPP Brown Tape for Signal Sealing size 96mm width, 25 Mtrs Length & Thickness 55 micron make BOPP, ARO, SCOTCH, or Crystal.(Product Guarantee Certificate required.)	1200	Nos.	SSE(SIG) CLA
7	92.14.5283	Cable PVC flexible 36/0.3 finolex strand 2.5 sqmm for wiring for point machine in Red,White, Blue, Yellow & Black colour finolex, Polycab,Havells, (Product Guarantee Certificate required.)	5000	Mtrs.	SSE(SIG) CLA
8	92.14.5284	Copper Lug for AFTC track lead connection (Rail Side) <u>as per drg. No. R-ST- 11788</u> make Braco , Shraddha, Arje, M/s. Electro Crimp Contacts (I) P.Ltd. (Product Guarantee Certificate required.)	2200	Nos.	SSE(SIG) CLA
9	92.14.5286	Electronic Buzzer 24 Volt DC for SM operating panel make Reliable , Antoson , Automatic , Target Electrical or similar (10	Nos.	SSE(SIG) CLA

		Product Guarantee Certificate required.)			
10	92.14.5287	Electronic Buzzer 60 Volt DC for SM operating panel make Reliable , Antoson , Automatic , Target Electrical or similar . (Product Guarantee Certificate required.)	10	Nos.	SSE(SIG) CLA
11	92.14.5288	M Seal (general purpose) Epoxy compound Multi purpose industrial grade compound make Pidilite Ind. Ltd. In 1 kg pack Dr. Beck, Araseal (Product Guarantee Certificate required.)	200	Kgs.	SSE(SIG) CLA
12	92.14.5289	Perplex sheet 6' x 4' x 5mm thickness clear for use in operating panel make Swastik, Neelkamal, or similar (Product Guarantee Certificate required.)	24	Nos.	SSE(SIG) CLA
13	92.14.5290	Solder Wire (Resin Core) 0.18 guage make Khosla, Pai,Esilo, (Product Guarantee Certificate required.)	20	Kgs.	SSE(SIG) CLA
14	92.14.5292	SS taper pin of ABB Bond plate of size 6mm with Two Nut, One Nylon Nut,Four plain Washer & One spring washer as per Drg. No. RST- 11630 (Product Guarantee Certificate required)	3000	Nos.	SSE(SIG) CLA
15	92.14.5293	ZORIC SPRAY 200ML. Rust end contact cleaner Zorrick, CVC,Multiple (Product Guarantee Certificate required.) in 200 ml tin.	300	Nos.	SSE(SIG) CLA
16	92.14.5306	Lead Acid battery heavy duty 12 V. 180 AH as per IS 7372/74 or latest. Make - Exide, Microtex, Standard.	2	Nos.	SSE PSI LNL
17	92.14.5307	CFL lamp 36 watt 4 pin 2G 11 cap for cool day light fitting suitable for 230 V TS 50 HZ AC supply make Bajaj, Crompton, Havells, Philips.	200	Nos.	Sr. SE (TD) PSI KYN
18	92.14.5308	Multi-functional digital timer switch for input voltage 230 V, 50 HZ AC with back up of program a time by lithium battery with minimum time between two switching operation 1 Min. Make - SCHNIEDER, GE or LEGREND.	20	Nos.	Sr. SE (TD) PSI KYN
19	92.14.5309	Spares for 132 KV SF6 breaker CGL make (Detail as under). (one set consisting 5 items & 25 Nos.) 1) Thermal Overload relay contact rating 220 v / 415 V AC manual 3 – 0A / 1.5 A, Auto 1.0 A / 0.5A , IS 13497 – 4 Qty. – 5 Nos. 2) Limit Switch 110 / 220 V AC, 1 A. 1 NC make Omron or similar Qty. – 5 Nos. 3) Motor contactor 88 M1, CM 20 G, 16 Amp., AC - 3 , 10 HP, 7.5 KW 415 V, 50/60 HZ coil Volt - 110 V DC , 2 NO 2 NC Qty. - 5 Nos 4) Spring charging motor 110 v DC type C 22 850 RPM, 6 Amps, 300 Watt KPT make or similar. Qty. – 5 Nos. 5) Auxilliary contactor for 132 SFM 32 B GCB CGL make. Qty – 5 Nos.	1	Set	Sr. SE (TD) PSI KYN
20	92.14.5249	SS taper pin size 16 mm dia 82 mm length taper from 19 mm to 16mm alongwith one hexagonal nut, one check nut, one plain washer and one spring washer	700	Set	SSE (Sig/Store) KYN

DRG. TO TENDER No 92.14.5292



DETAIL OF IT. NO. 3

Copy attached

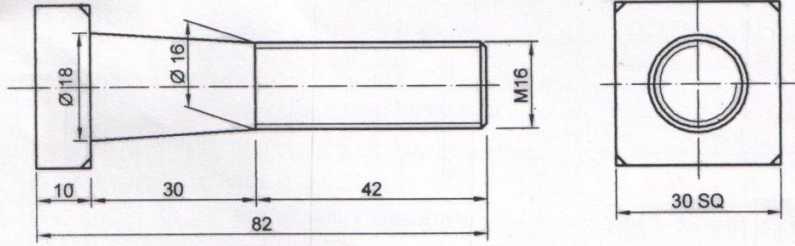
म. सि. एव. रेल. इंजी. (दक्षिण) मुंबई सी.एस.टी. Divl. Sig & Tele. Eng. (South) CSTM C. Rly.

DRAWN BY *Mukesh*
 CHECKED BY *[Signature]*
 EXAM'D BY

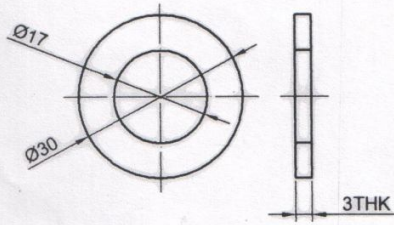
IT. NO.	DESCRIPTION	QTY	MATL	REM.
9	NYLON WASHER	2	NYLON	SEE DETAIL OF IT. NO. 3
8	HEX. BOLT	1	S.S.	AS SHOWN
7	SPRING WASHER-	2	STD	FOR M6 BOLT
6	WASHER $\frac{O/D=14}{I/D=6.5} \times 11MM$	6	SS.	
5	WASHER $\frac{O/D=11.5}{I/D=6.5} \times 1.5THK$	2	"	
4	NUT -M6 x 5 THK	5	"	
3	NUT WITH COLLAR	2	"	SEE DETAIL
2	PIN	2	"	AS SHOWN
1	PLATE	1	S.S.	AS SHOWN

DATE	CENTRAL RLY (S&T)	DRAWING NO.
4-10-04	<i>[Signature]</i>	R-ST-11630

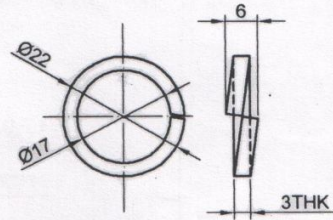
ABB' AFTC
TRACK CONNECTION



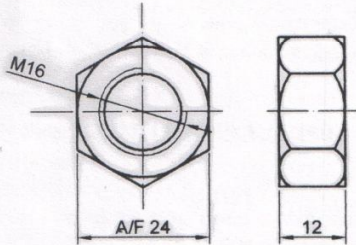
TAPER PIN
 MATL:-STAINLESS STEEL
 QTY:- 1 NO.



WASHER
 MATL:-STAINLESS STEEL
 QTY:- 2 NOS.



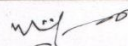
SPRING WASHER
 MATL:-STAINLESS STEEL
 QTY:- 1 NO.



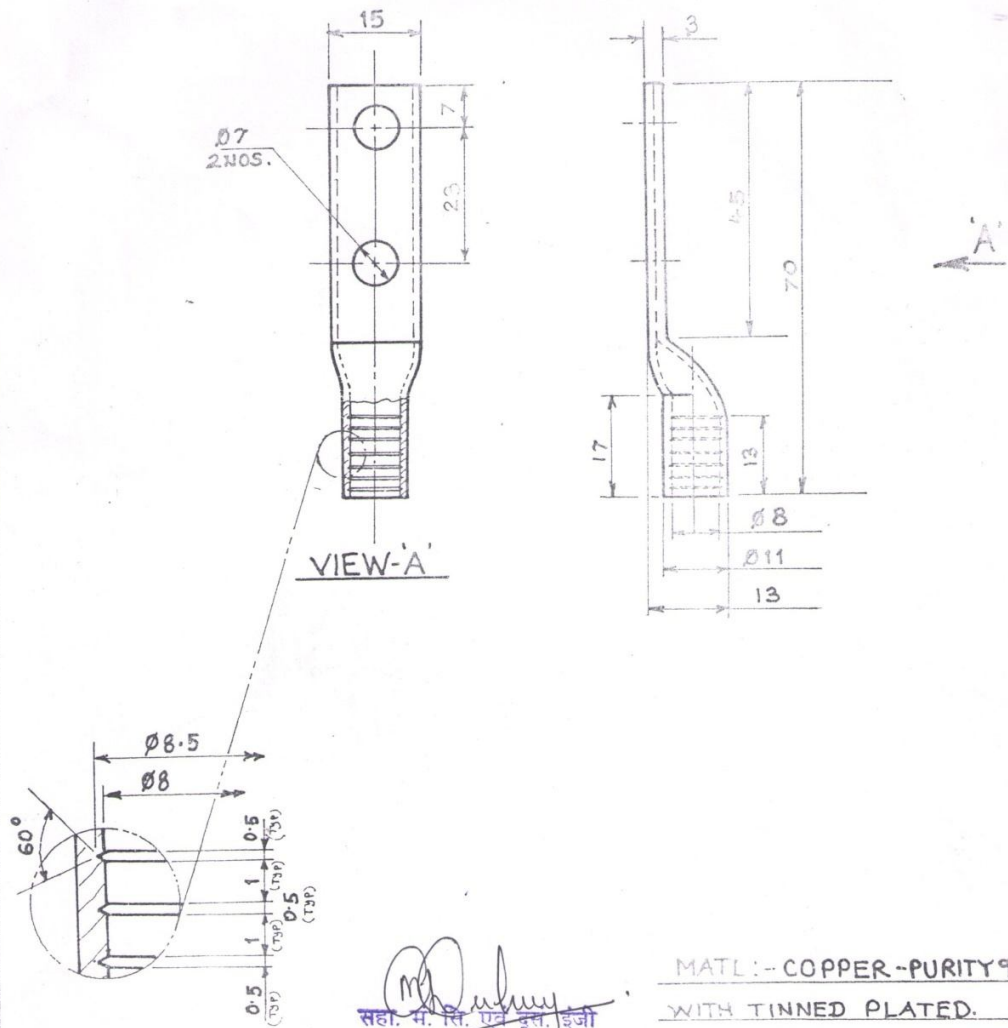
NUT
 MATL:- STAINLESS STEEL
 QTY:- 2 NOS.

- NOTES:-**
- 1) ALL DIMENSIONS ARE IN M.M.
 - 2) ALL SHARP EDGES TO BE REMOVED.
 - 3) MATERIAL SHOULD BE S.S. GRADE-304.

**TAPER PIN WITH WASHERS,
 SPRING WASHER AND NUT
 FOR AFTC**

DATE	C.RLY S&T CSTM	DRAWING NO.
28.06.10	 DSTE(S) CSTM	R-ST-12004

Q2. 14.5284



MATL :- COPPER - PURITY 99.9%
WITH TINNED PLATED.

M. S. Patil
सहा. म. सि. एन्ड ड्रॉ. इंजी
(दक्षिण) मुंबई सी.एस.टी.
ADSTE (S) CSTM. C. Rly.

COPPER LUG

DATE	C-RLY (S&T)	DRAWING NO.
	<i>Patil</i> 2004 ADSTE (N) CSTM	R-ST-11788