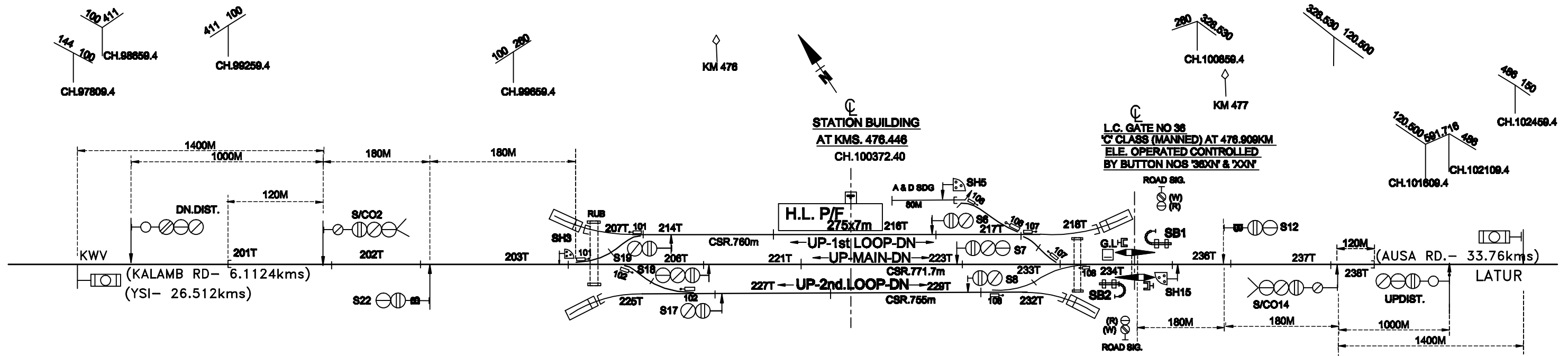


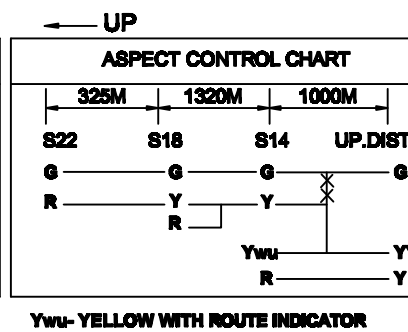
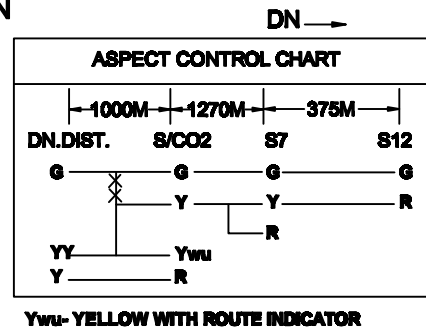
UP →

← DOWN



**NOTES:-**

1. S/L PODANUR P.B. TYPE TOKENLESS B/INSTT. ON
  - i) DKY-YSI ii) DKY-AUSA RD. SECTION
2. TELE. CONNE. PROVIDED BET SM'S OFFICE &
  - i) LC NO. 36, 34 & 32C
  - ii) L.C. GATE NO. 34, 39, 42, 44 (DHOKI-YDSI)
3. FOR COMPLETE DETAILS PLEASE REFER I.P.
4. DRAWING IS NOT TO SCALE



CENTRAL RAILWAY(S&T) SOLAPUR DIVISION	
<b>ढोकल (बी.जी.)</b>	<b>DHOKI (B.G.)</b>
'डुशुुरी, डलनक II (डलर)	'B' CLASS, STD. II(R)
DRG. NO.	S.I.-3258/A/B/C/D/E/F/G(88)
S.I.-3258/H/J/K	