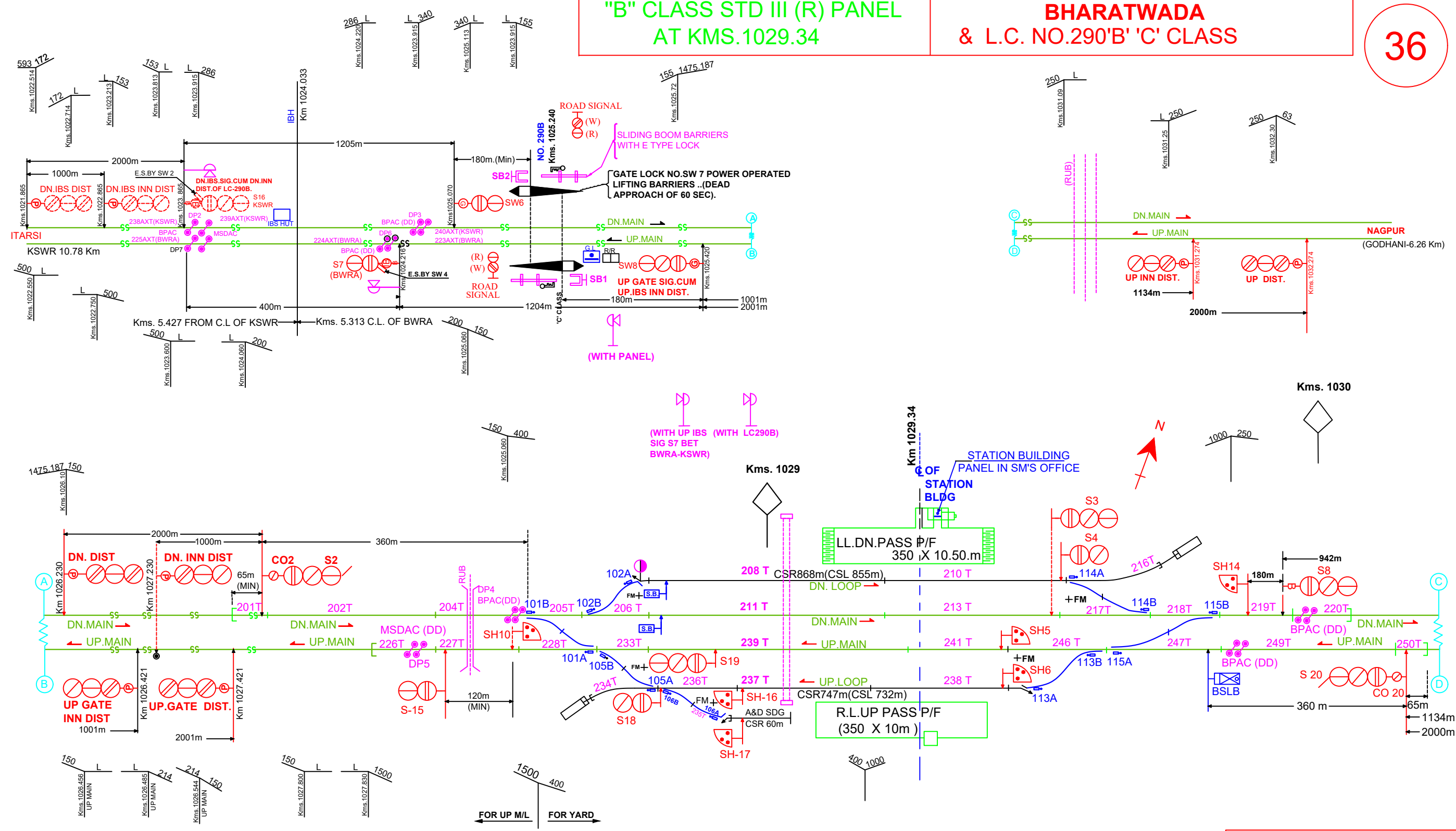


**"B" CLASS STD III (R) PANEL
AT KMS.1029.34**

**BHARATWADA
& L.C. NO.290'B' 'C' CLASS**



**IP.NO. SI.-- 3121/01/H
DATE:-06-03-2020**