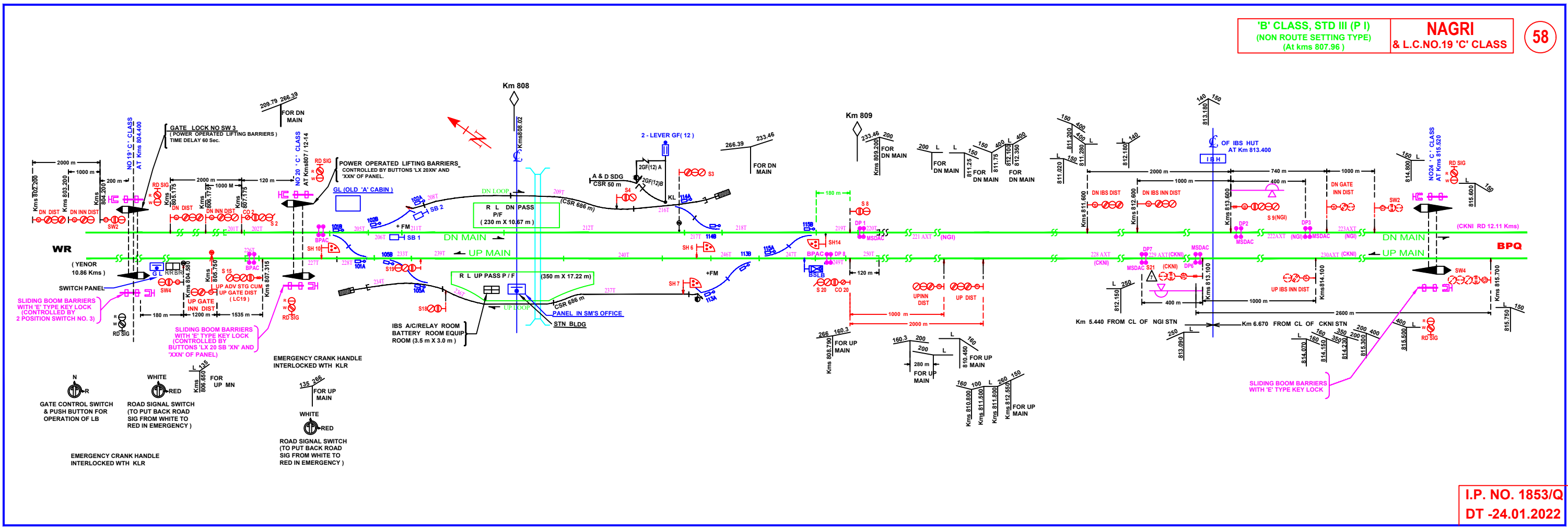


'B' CLASS, STD III (P I)
(NON ROUTE SETTING TYPE)
(At kms 807.96)

NAGRI
& L.C.NO.19 'C' CLASS

58



I.P. NO. 1853/Q
DT -24.01.2022